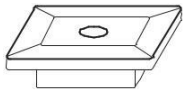
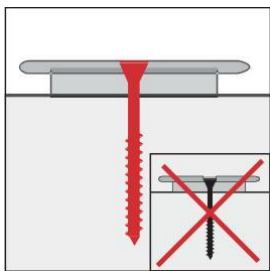


Installation Instructions for Fusion Timber Decking Range



No special skills or tools are needed for installation. However, it is important to follow the instructions carefully. Failure to do so may lead to a reduced product performance and will invalidate the manufacturer's guarantee. Please ensure that you meet the requirements of the local building regulations.

Please note that transport related smudges or scratches on Lifecycle boards are normal and do not affect the performance of the board. These marks will weather in the first months.



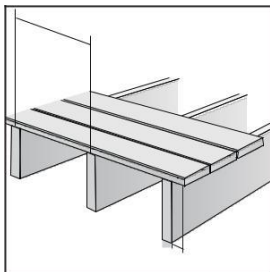
Wing Clips are designed for screws with a head diameter of 5 to 6 mm. Use of other screws may lead to product failure and could invalidate the manufacturer's guarantee.

Please use the correct torque to ensure the screw head finishes level with the clip surface. Do not insert the screw too deep into the clip. This could damage the clip.

Expansion gaps

Composite deck boards will expand and contract slightly along their length with changes in temperature. Boards installed during the early spring or winter, (i.e. when the boards are cold), will expand as the weather warms up. Expansion gaps must be left at the ends of the deck boards, whether it is where the ends of two boards meet, or where the end of a board is laid up to a wall or other fixed surface.

- Between Boards – Side by Side – 5mm
- Board End to Solid Structure – 5mm
- Against Wall – Parallel – 5mm
- End to End butt join – 5mm
- Butt Join to Breaker Board – 5mm

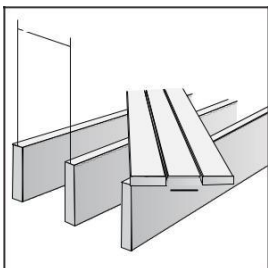


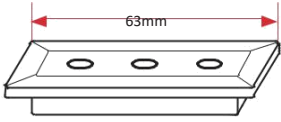
Sub-structure

The joists should be interconnected and suitably anchored to the base or interconnected to prevent movement of the deck during its lifetime. Building regulations should be followed, and specialist advice should be sought for roof terraces and other raised decking. The joists should be parallel to the direction of drainage. When the UPM Rubber Pad or Foot are used they allow the joist to be used in either direction.

The distance between joists must not exceed 400mm for Solid Composite Decking and 300mm for Hollow Composite Decking

Please note that the maximum recommended overhang of a board end is 38 mm



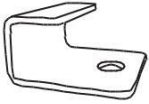


Wing Clip Large

Fixing deck boards with Wing Clip hidden fastening system

Fusion Timber Composite decking with edge grooves allow the use of Wing Clips for hidden fastening, this will guarantee a consistent gap between the edges of the boards. Each floor joist requires 1 clip per board.

When joining boards using a Butt join, a double side by side joist is required, Fitting a clip on each joist. Butt joints must be installed over a double joist to allow for correct installation of clip and wing clip fixing system.



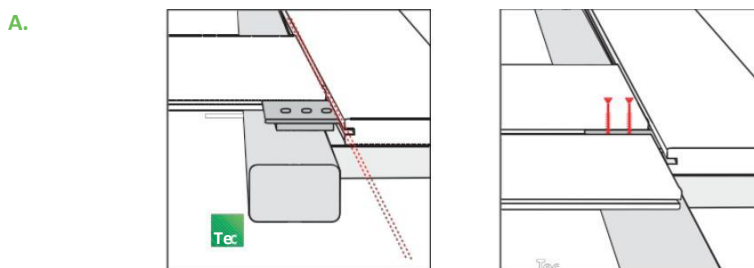
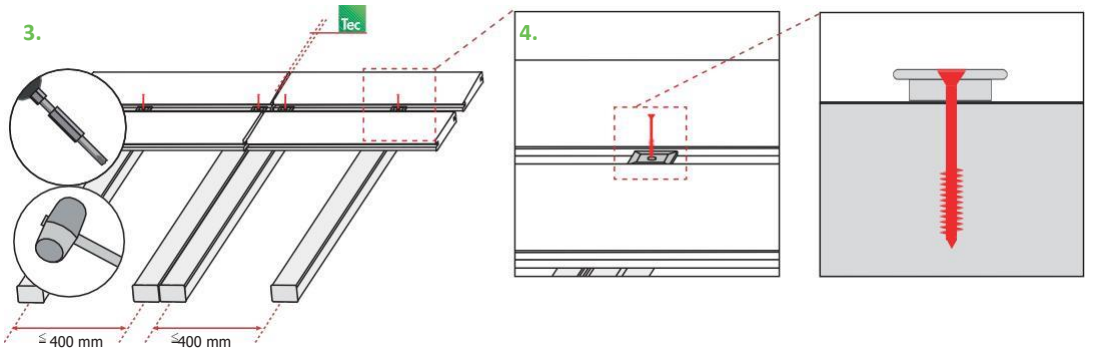
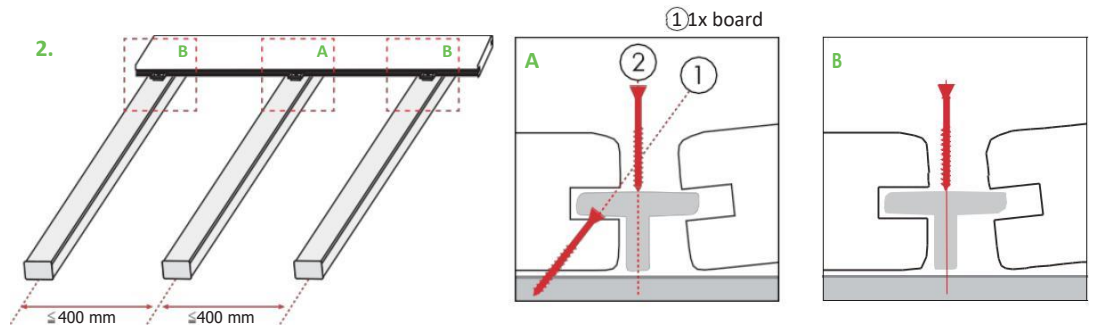
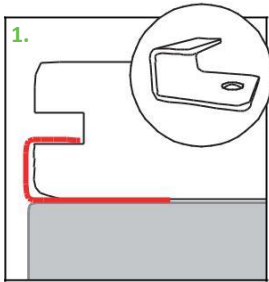
C Start Clip

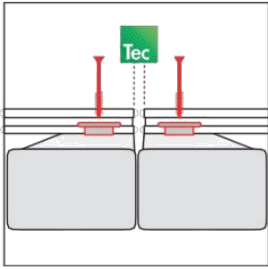
C Start Clips centrally onto the joists, allow the required 5mm distance from the wall/structure. Slide the first board groove into the start clip tab.

1. Fix one screw directly through the bottom tongue at the middle of each deck board. This single direct fixing of the deck board to the joist will ensure that the expansion and contraction can still occur at both ends, but that the board itself stays in place. Then slide the Wing Clips firmly into the groove of the first board above every supporting joist.

2. Take the next board and slide to the clip tabs, pressing it firmly into place.

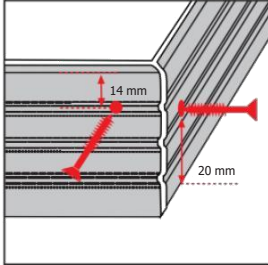
3. Screw the clips to the joists so that the screw head is even with the clip surface.





Joining ends of boards

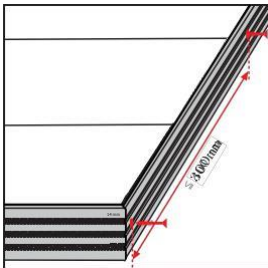
Support both boards with their own joist. Leave an expansion gap between the two boards. Fix each board with the Wing clips.



Cover profiles

a. To create perfect finish for the Decking cover strips can be fixed as illustrated.

b. Edging boards are also available without edge grooves for use as fascia cover boards to enclose the sub structure. The boards may be directly fixed with 4 x 60mm A4 stainless steel screws.



The spacing between the screws should not exceed 300 mm. Allow a minimum 6 mm gap between the fascia and any vertical walls or the ground for drainage.